

Model	Power Supply Unit for N220 Savin Power Supply Unit for 9180, Nashua IF3018, infotec Power Supply Unit 9118)	Volt/Hz	Date of Modification	Serial Number
Modified Article	Parts Catalog			
Reason for Modification	Parts catalog correction			

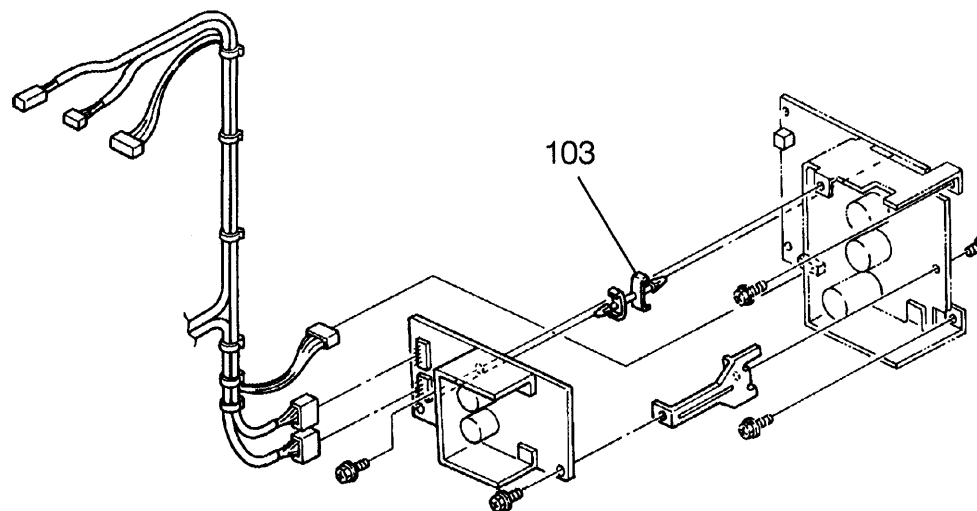
Please add the following part to your parts catalog:


Part Number	Description	Q'ty Used	Index No.	Page
11050159	PCB Stud	1	#103	3

#: New Index

Please correct the following index number:

1. POWER SUPPLY UNIT (A494) (Page 2)





 M. Konno, Manager
 Reprographic Q. A. Section

MODEL NAME	V/Hz	DESTINATION	CODE	SERIAL NUMBER
Savin Power Supply Unit for use in 9180 copier	115/60	USA, Canada	A494-15	From First Production
Nashua IF3018	115/60	Canada, L. America	A494-16	From First Production
Ricoh Power Supply Unit Type A	115/60	USA, Canada	A494-17	From First Production
Nashua IF3018	220,240/50	Europe, etc.	A494-25	From First Production
infotec Power Supply Unit 9118	220,240/50	Europe	A494-26	From First Production
Ricoh Power Supply Unit Type A	220,240/50	Europe, Asia, etc.	A494-27	From First Production

Model	Power Supply Unit for N220 Savin Power Supply Unit for 9180, Nashua IF3018, infotec Power Supply Unit 9118)	Volt/Hz	Date of Modification	Serial Number
Modified Article	Parts Catalog (220/240V version only)			
Reason for Modification	Parts catalog correction			

Please correct your parts catalog as follows:

Incorrect P/N	Correct P/N	Description	Q'ty Used	Index No.	Page
A4945401		DC Drive Board	1 - 0	4 *	3 7
	A4945411	DC Drive Board - 220/240V	0-1	4 *	3 7
11070354		Fuse - 3.15A 125V	1-0	103	7
	11070457	Fuse -3.15A 250V	0-1	103	7
11070391		Fuse - 5A 125V	1 - 0	104	7
	11070459	Fuse - 5A 250V	0-1	104	7
16042239		Capacitor - 4700uF 35V	1 - 0	114	7
	16042289	Capacitor - 4700uF +-20% 50V	0 - 1	114	7


M. Konno, Manager
 Reprographic Q. A. Section

MODEL NAME	V/Hz	DESTINATION	CODE	SERIAL NUMBER
Savin Power Supply Unit for use in 9180 copier	115/60	USA, Canada	A494-15	
Nashua IF2018	115/60	Canada, L.America	A494-16	
Ricoh Power Supply Unit Type A	115/60	USA, Canada	A494-17	
Nashua IF3018	220,240/50	Europe, etc.	A494-25	From First Production
infotec Power Supply Unit 9118	220,240/50	Europe	A494-26	From First Production
Ricoh Power Supply Unit Type A	220,240/50	Europe, Asia, etc.	A494-27	From First Production

Model	Power Supply Unit for N220 (Ricoh Power Supply Unit Type A, Savin Power Supply Unit for 9180, Nashua IF3018, infotec Power Supply Unit 9118)	Volt/Hz	Date of Modification	Serial Number
Modified Article	Optional DC Drive Board			
Reason for Modification	To increase reliability of the optional dc drive board			

Draw No.	Old Parts No.	New Parts No.	Description	A.B.C.	Q'ty Used Old → New	Inter-change-ability	Part needed for replacement by new part		Parts Catalog	
				Rank			Part No.	Description	Index No.	Page
	A4945401	A4945415	DC Drive Board - 115V		1 - 1	X/O			4	3
	A4945411	A4945416	DC Drive Board - 220/240V		1 - 1	X/O			4	3
	14020277		Zener Diode - 1Z12		1 - 0				105	7
		14020951	Diode - 12V		0 - 2				105	7
	16042289		Capacitor - 4700µF 35V		1 - 1				114	7
		16042358	Capacitor - 4700µF 50V		1 - 1				114	7
	16114220		Resistor - 22Ω 1/4T ±5%		1 - 1				117	7
		16114680	Resistor - 68Ω 1/4T ±5%		1 - 1				117	7

Rank: A : Replace with new parts immediately. B : Replace with new parts at time of repair. C : Replace with new parts at time of overhaul.

Interchangeability:

(1) When old and new parts are not mutually interchangeable, use additional parts or an assembly part as indicated in "Parts needed for replacement by new part" to install the new part.

(2) The mark to the left of the slash indicates whether the old part can be used in the new machine, and the mark to the right indicates whether the new part can be used in the old machine. x = Not interchangeable o = Interchangeable

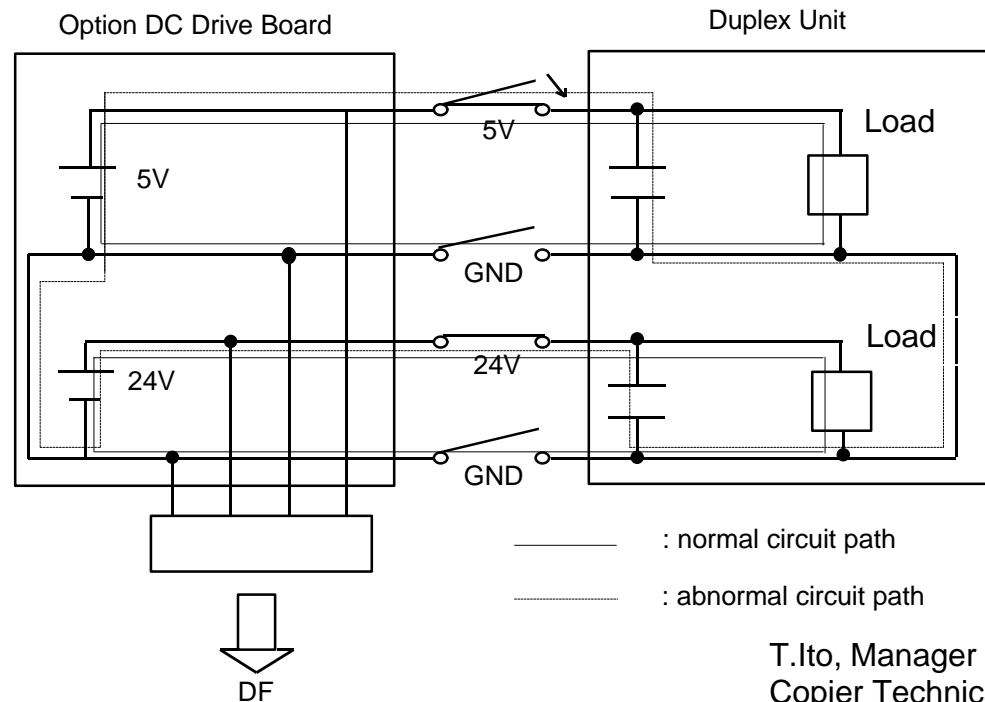
DETAILS OF MODIFICATION

Electrical malfunction of the DF due to electrical noise was found at the factory. When the duplex unit is pulled out and in, poor connection may occur at CN720 as shown in the following schematics. Electrical noise may then be generated on the 5V line of the optional dc drive board. The electrical noise causes an electrical malfunction on the DF. For example, a motor may stay on. The occurrence ratio is expected to be very low. To prevent the electrical malfunction, the zener diode has been removed and two diodes have been added as shown in the schematics of the modified optional dc drive board (next page).

When the duplex unit is inserted, if the following sequence occurs, the current (24V) goes through the 5V line circuit. This generates electrical noise.

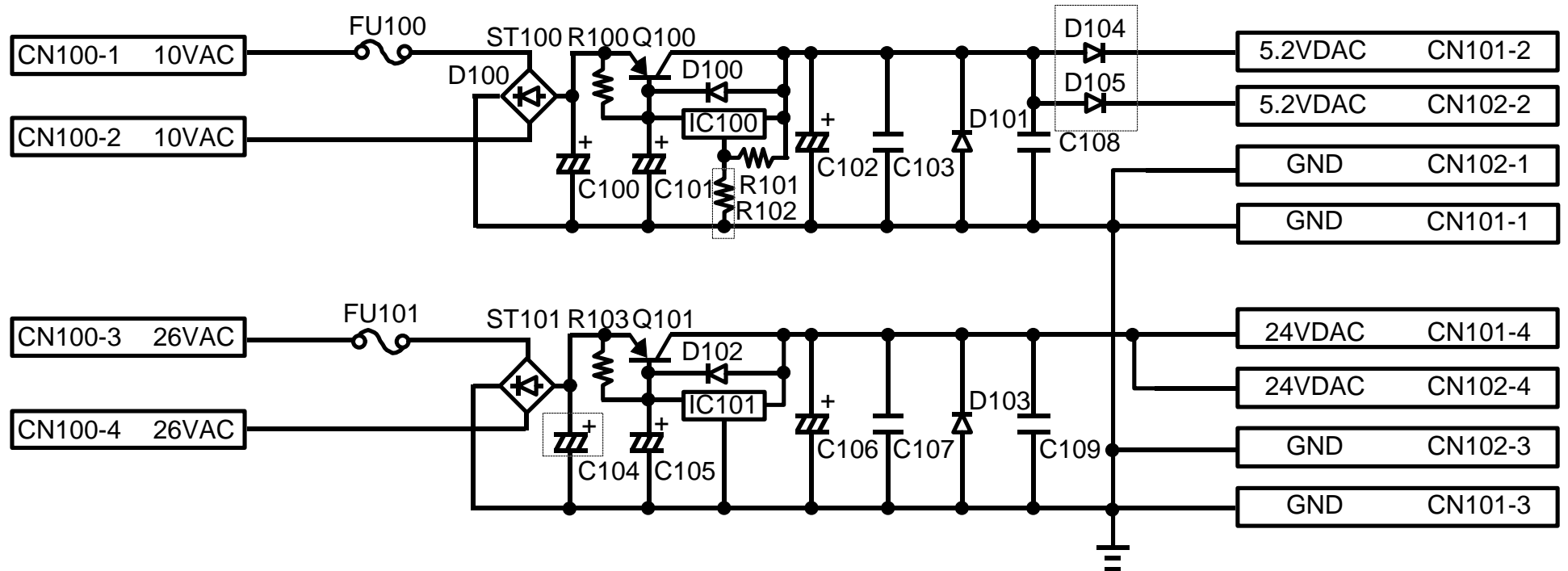
When inserting the duplex unit;

- Two ground lines are not connected.
- The 24V line is connected first.
- Then, the 5V line is connected



T.Ito, Manager
Copier Technical Support

Optional DC Drive Board Schematics



: Modified parts

MODEL NAME	V/Hz	DESTINATION	CODE	SERIAL NUMBER
Savin Power Supply Unit for use in 9180 copier	115/60	USA, Canada	A494-15	01200001
Nashua IF3018	115/60	Canada, L.America	A494-16	From First Production
Ricoh Power Supply Unit Type A	115/60	USA, Canada	A494-17	01200001
Nashua IF3018	220,240/50	Europe. etc.	A494-25	From First Production
infotec Power Suppy Unit 9118Z	220,240/50	Europe	A494-26	01200001
Ricoh Power Supply Unit Type A	220,240/50	Europe, etc.	A494-27	01200001